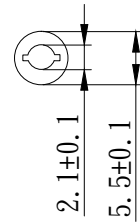
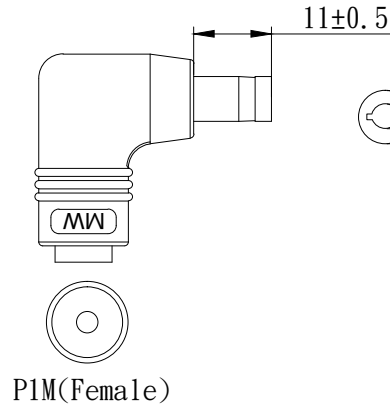


MW's Order No. :DC PLUG-P1M-P1JR

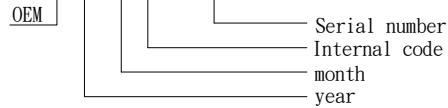
Rating current 7.5A



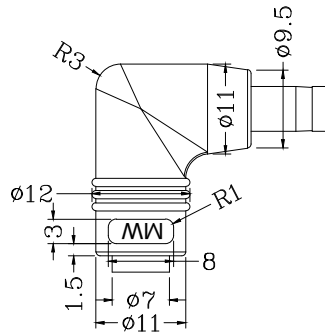
P1M(Female)



OC02W00001




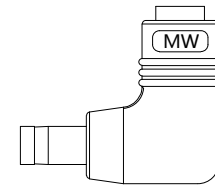
0:OEM  
 C0:2020 (A:0, B:1, C:2)  
 2:February(A:10, B:11, C:12)  
 W0:Internal code  
 0001:Serial number



Remark:  
 1.30pcs per packing

PACKAGING BAG

MW's Order NO.	DC PLUG-P1M-P1JR
Specification	Straight P1M (2.5*5.5*11mm) → Right-angled P1JR(2.1*5.5*11mm)
Quantity	1 pc
Bar code	 OC02W00001



明緯企業股份有限公司  
 MEAN WELL ENTERPRISES CO., LTD.

ITEM

DC PLUG CONVERTER