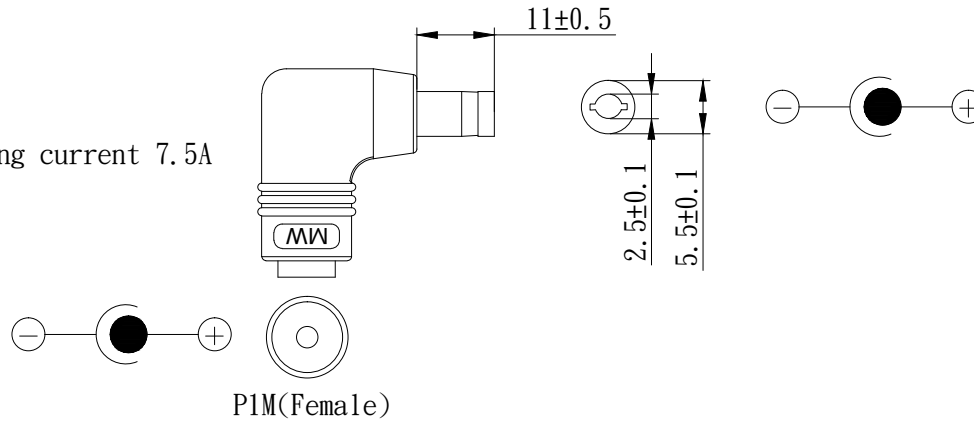


MW's Order No. :DC PLUG-P1M-P1MR

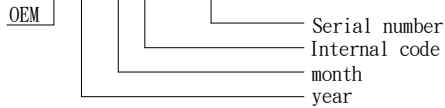
Rating current 7.5A



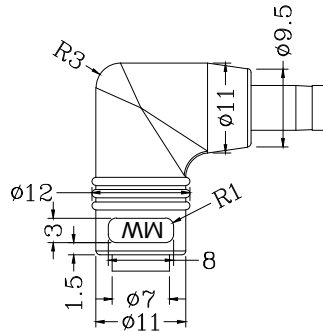
PIM(Female)



OC04WX0001




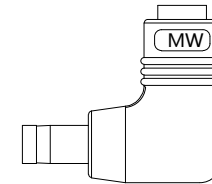
O:OEM
 C0:2020 (A:0, B:1, C:2)
 4:April(A:10, B:11, C:12)
 WX:Internal code
 0001:Serial number



Remark:
 1.30pcs per packing

PACKAGING BAG

MW's Order NO.	DC PLUG-P1M-P1MR
Specification	Straight PIM (2.5*5.5*11mm) → Right-angled P1MR(2.5*5.5*11mm)
Quantity	1 pc
Bar code	 OC04WX0001



明緯企業股份有限公司
 MEAN WELL ENTERPRISES CO., LTD.

ITEM DC PLUG CONVERTER